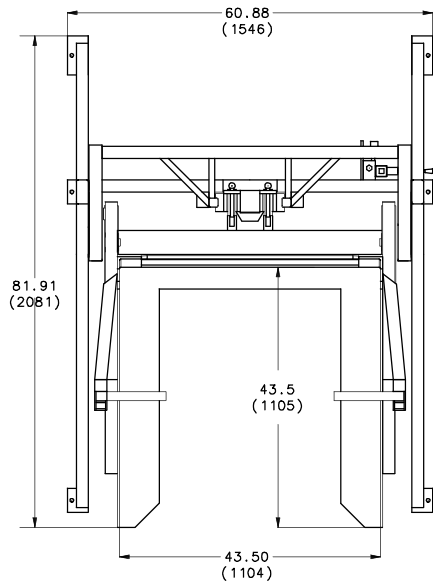
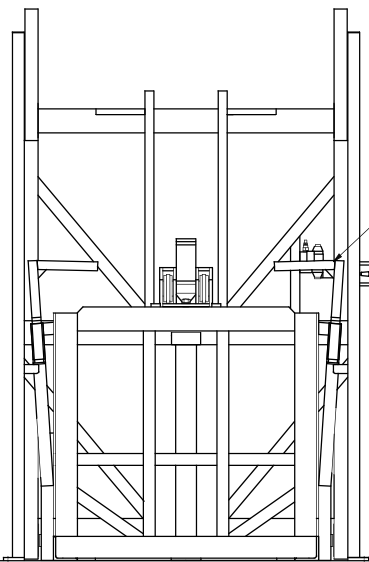
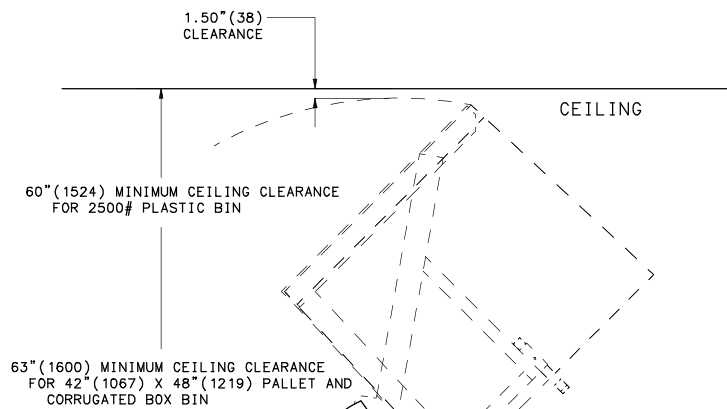


| | | | | |
|---|--------------|---|---|---------------------------|
| Scale 1/32 | Dr By TSE | WESTAR 814 E. FIRST AVE. DORCHESTER, WI. | A 3000 DIMS OF A | REV. |
| Date 3-3-2008 | Chk By | | | |
| THIS DRAWING AND ALL INFORMATION PRESENTED IS THE PROPERTY OF WESTAR AND IS STRICTLY CONFIDENTIAL. IT SHALL NOT BE COPIED REPRODUCED OR REVEALED WITHOUT WRITTEN CONSENT. THIS DRAWING MUST BE RETURNED UPON REQUEST. | | TOLERANCE (EXCEPT AS NOTED) .0 _____ .032 .00 _____ .015 .000 _____ .005 | TITLE: 3000 SERIES DUMPER DIMENSIONS | |
| | | QTY. | FOR: COMBO BIN DUMPER | |
| | | DESCRIPTION | | WESTAR IDENTIFICATION NO. |



CONTROL VALVE CAN BE ORDERED ON EITHER SIDE OF DUMPER



SELF-ADJUSTING HOLD DOWN BARS

